



TRACOE

**Product solutions for pediatric
tracheostomy care**

Atos

Breathing-Speaking-Living
atosmedical.us

Tracoe facility located in Nieder-Olm, Germany



Who we are

Atos Medical, established in 1986, is driven by a singular mission: to enhance the quality of life for individuals with a neck stoma. Atos Medical specializes in pioneering products for tracheostomy (Tracoe) and for laryngectomy (Provox, Provox Life) designed to improve breathing, speech, and overall well-being. Our dedication to excellence transcends product innovation. We actively contribute to clinical research and offer comprehensive education and support for healthcare professionals and their patients alike.

More ways to explore Atos Medical:



Stay informed about our business initiatives, watch product videos, hear from our customers, and find events near you.

TRACOE Silcosoft



Tracoe Silcosoft tracheostomy tubes

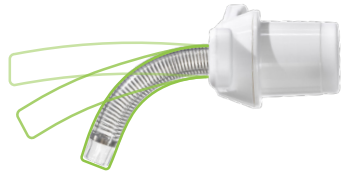
A child's trachea is narrow, soft, and highly sensitive. Therefore, careful selection of tracheostomy tube type and size is crucial to maximize airflow and maintain a patent airway, while minimizing the potential for damage to the airway.

The Tracoe Silcosoft tracheostomy tube is a soft, flexible silicone tube with spiral reinforcement developed especially for neonates, infants, and children. They are offered in both a water-filled cuff and cuffless option and with or without proximal extension.

The dimensions of the tracheostomy tube, particularly the length and diameter, should change in accordance with growth and development of the child.^{1,2} Even slight millimeter changes can impact the positioning and placement of the tracheostomy tube, including the distance from the carina; therefore, non-standard, variant length tube options are very important to have available.

Spiral reinforced

Silcosoft tubes feature a nitinol spiral reinforcement within the tube wall, making them MRI conditional. The tight spiral design maintains shape integrity and terminates before the tube end, ensuring a soft tip.



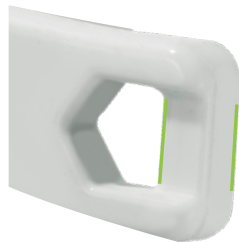
Tracoe water-filled (H2O) cuff

The cuff should be filled with sterile water.³ The cuff inflation line is integrated into the material of the tube wall. When inflated, the cuff provides a seal to optimize ventilation and offers a degree of protection against foreign material (secretions, liquid, emesis) entering the lower airway.⁴ When deflated, it is close to the cannula.



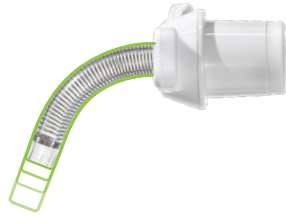
Specially reinforced eyelets

Tracoe Silcosoft features a slightly curved neck flange with reinforced eyelets designed for use with hook-and-loop fastener neckbands. The underside of the eyelets are recessed to allow ease of neckband placement.



Length variants

As a child grows and develops, the dimensions of their tracheostomy tube, such as length and diameter, should adapt. This is why variant lengths are available.



Obturator

Standard length Tracoe Silcosoft tubes feature a ring-shaped obturator for intuitive tube insertion, particularly helpful for smaller tube sizes. Proximally longer tubes and variant lengths are equipped with a metal obturator, easily identifiable by the orange cap with clear orientation marking.



Color coding

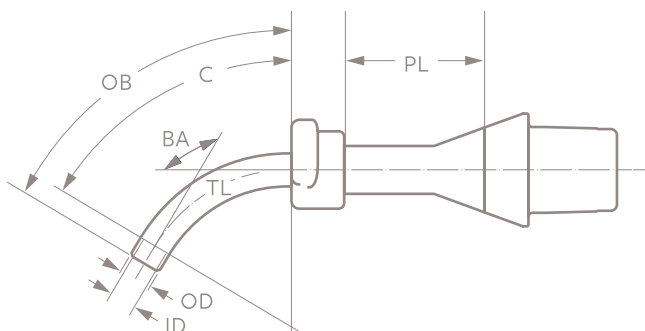
Product specs are labeled on the neck flange of all kids' tubes. These labels are blue for standard items and green for variant length items to distinguish between the different types.



Tracoe Silcosoft for neonates and infants

Size	ID	OD	C	TL	OB	BA	PL
	mm	mm	mm	mm	mm	∅°	mm
2.5	2.5	4.4	26.8	30	32	120	15
3.0	3.0	4.9	28.0	32	34	120	17
3.5	3.5	5.4	29.0	34	37	120	20
4.0	4.0	6.0	29.0	36	39	120	22

ID: inner diameter (clear width) of tube; **OD:** outer diameter of tube;
C: length; **TL:** length along center line from start to bottom of tube;
OB: length along outer bend from start to bottom of tube;
BA: bending angle **PL:** proximal longer



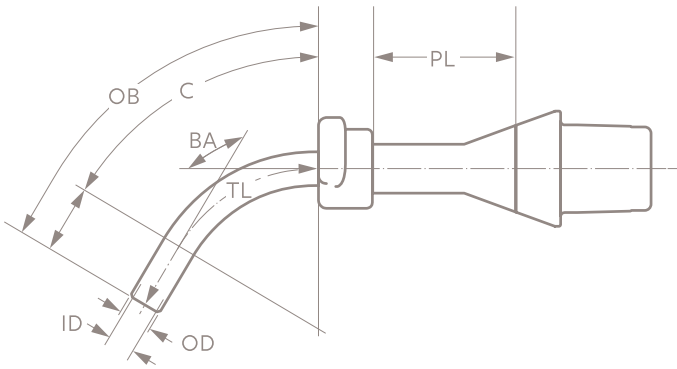
Ordering information

REF#	Description	Size (Diameter)
REF 360	Tracoe Silcosoft Neo	2.5-4.0
REF 361	Tracoe Silcosoft Neo PL	2.5-4.0
REF 362	Tracoe Silcosoft Neo C	2.5-4.0
REF 363	Tracoe Silcosoft Neo PL-C	2.5-4.0

Includes: Ring obturator (standard tubes) or metal obturator (proximal longer tubes), adjustable neck strap, disconnection wedge, and product info card with detachable label.
 To order, specify: **REF + Diameter, e.g. REF 362-3.5**

Tracoe Silcsoft for children

Size	ID	OD	C	TL	OB	BA	PL
	mm	mm	mm	mm	mm	∅°	mm
2.5	2.5	4.4	29.0	38	40	120	20
3.0	3.0	4.9	29.0	39	41	120	20
3.5	3.5	5.4	29.0	40	43	120	25
4.0	4.0	6.0	29.0	41	44	120	25
4.5	4.5	6.6	29.0	42	45	120	30
5.0	5.0	7.3	29.0	44	48	120	30
5.5	5.5	8.4	29.0	46	50	120	30



Ordering information

REF#	Description	Size (Diameter)
REF 370	Tracoe Silcsoft Ped	2.5-5.5
REF 371	Tracoe Silcsoft Ped PL	2.5-5.5
REF 372	Tracoe Silcsoft Ped C	2.5-5.5
REF 373	Tracoe Silcsoft Ped PL-C	2.5-5.5

Includes: Ring obturator (standard tubes) or metal obturator (proximal longer tubes), adjustable neck strap, disconnection wedge, and product info card with detachable label.

To order, specify: **REF + Diameter, e.g. REF 371-4.0**

Length variants available.

TRACOE Mini

Tracoe Mini tracheostomy tubes

The Tracoe Mini tracheostomy tubes are made of a soft Polyvinyl Chloride (PVC) and do not contain Di (2-ethylhexyl) phthalate (DEHP). Additionally, they do not contain any metal and therefore are classified as MRI safe.

Similar to Silcosoft tubes, it is crucial for the dimensions of tracheostomy Mini tubes, including the length and diameter, to accommodate the child's growth and development. Therefore, the availability of non-standard, variant length tube options is paramount.

Neck flange

The Tracoe Mini tracheostomy tube has a slightly curved neck flange with large eyelets to attach the neckband.



Obturator

The ring-shaped grip allows intuitive handling of the obturator for tube insertion. This can be useful when placing smaller tube sizes.



Tracoe Mini Extension piece

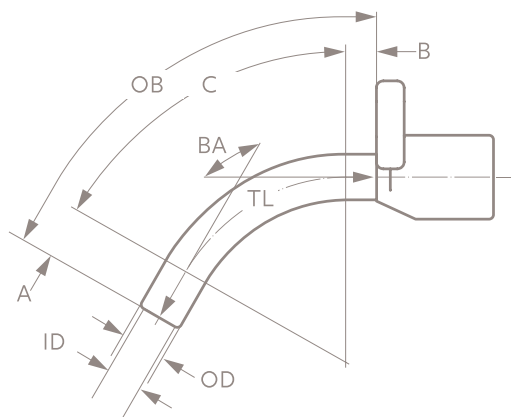
Children with poor head control and/or short necks are prone to tube obstruction. With connection of the extension piece to the 15mm connector of the tracheostomy tube, the distance between the connector and the child's neck is increased. The dead space is increased by about 3.5 to 4ml (cm³). The Tracoe Mini Extension piece is 6mm (inner diameter) and fits all 15mm connectors.



Tracoe Mini for neonates and infants

Size	ID	OD	A	C	B	TL	OB	BA
	mm	mm	mm	mm	mm	mm	mm	∅°
2.5	2.5	3.6	6	22	2	30	32	120
3.0	3.0	4.3	7	23	2	32	34	120
3.5	3.5	5.0	8	23	3	34	37	120
4.0	4.0	5.6	9	24	3	36	40	120

ID: inner diameter (clear width) of tube; **OD:** outer diameter of tube;
C: length; **TL:** length along center line from start to bottom of tube;
OB: length along outer bend from start to bottom of tube;
BA: bending angle



Ordering information

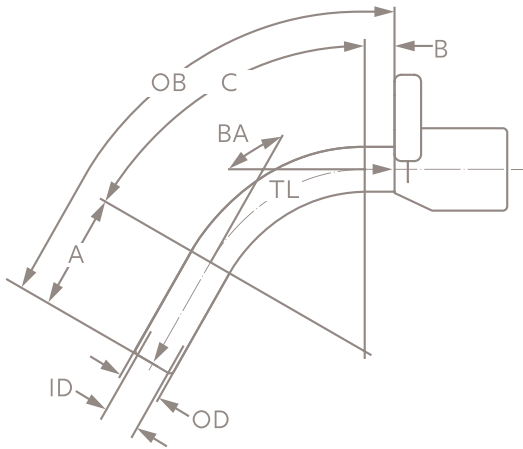
REF#	Description	Size (Diameter)
REF 350	Tracoe Mini Neo	2.5-4.0

Includes: Ring obturator, adjustable neck strap, and product info card with detachable label.

To order, specify: **REF + Diameter, e.g. REF 350-3.5**

Tracoe Mini for children

Size	ID	OD	A	C	B	TL	OB	BA
	mm	mm	mm	mm	mm	mm	mm	∅°
2.5	2.5	3.6	8	22	2	32	34	120
3.0	3.0	4.3	10	24	2	36	39	120
3.5	3.5	5.0	12	25	3	40	43	120
4.0	4.0	5.6	14	27	3	44	48	120
4.5	4.5	6.3	16	28	4	48	52	120
5.0	5.0	7.0	18	28	4	50	55	120
5.5	5.5	7.6	20	30	5	55	60	120
6.0	6.0	8.4	22	35	5	62	67	120



Ordering information

REF#	Description	Size (Diameter)
REF 355	Tracoe Mini Ped	2.5-6.0
REF 356	Tracoe Mini Extension piece	6.0

Includes: Ring obturator, adjustable neck strap, and product info card with detachable label.

To order, specify: **REF + Diameter, e.g. REF 355-3.5**

Length variants available.

TRACOE

Heat and moisture exchangers (HMEs) and speaking valves



Tracoe HMEs

A tracheostomy bypasses upper airway functions which negatively impacts humidification, filtration, and secretion management and may heighten infection risk. HMEs have been shown to restore humidity and warmth to the inhaled air. This results in decreased viscosity of mucus production, less coughing, and improvements in respiratory functions.^{5,6,7}

HME and speaking valve ordering information

REF#	Description	Qty
8004	Freevent XtraCare Mini White	30 pcs
8007	Freevent O2 Adaptor Mini	10 pcs
7704	TrachPhone	50 pcs
REF 650-T	Tracoe Phon Assist I	1 pc
REF 650-TO	Tracoe Phon Assist I O2	1 pc*
REF 650-TO-C	Tracoe Phon Assist I orange O2	1 pc*

* With integrated oxygen supply port

Freevent XtraCare Mini

Freevent XtraCare Mini HMEF combines an HME with a highly effective electrostatic filter that reduces the inhalation of airborne particles containing viruses and bacteria. It is for daily use up to 24 hours* and provides protection with a filtration efficiency of more than 98%.^{8,9**}



TrachPhone

TrachPhone is a multifunctional HME intended for spontaneously breathing patients with a tracheostomy tube. It incorporates an HME, a speaking valve, a suction port, and an oxygen port. The speaking valve feature may be appropriate for older children who can learn to manually occlude the device to restore airflow through the upper airway enabling voice.



Phon Assist I

Phon Assist is a speaking valve equipped with two adjustable side openings and comes with or without an oxygen supply port. By twisting the proximal end of the valve, breathing resistance can be adjusted. If the tracheostomy tube is cuffed it must be deflated.



* HMEs should be regularly changed if they are soiled, dropped or clogged.

** **Please note:** since pathogens can enter and leave the human body in other ways (such as the mouth, nose, and eyes), Freevent XtraCare Mini can never guarantee complete protection.

TRACOE Accessories



Tracoe Accessories

Tracoe accessory products, including specialized dressings and neckbands play an important role in high-quality tracheostomy care.

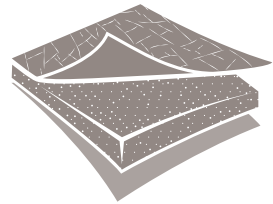
Ordering information

REF#	Description	Size	Qty
REF 959	Purofoam Compress Small	6.5 x 6.3 x 0.5cm	10 pcs
REF 961	Tracoe Compress Slit Small	6.5 x 6.3cm	10 pcs

REF#	Description	Width	Length	Qty
1652	Freevent Neckband Small	Approx 2.0cm	Min length 23cm Max length 40cm	10 pcs

Tracoe Purofoam Compress

The Purofoam compress is made from an open-pored polyurethane foam designed to absorb secretions and keep the stoma dry. This multi-layered dressing absorbs secretions into the dressing's core and the surface layer prevents leakage of secretions to the outside minimizing bacterial contamination.



Tracoe Compress

The Tracoe Compress dressing is a one-ply tracheal compress to allow for padding between the stoma and neck flange and to absorption of secretions.



Freevent Neckband

The Freevent Neckband is a high-quality, two-piece neckband with Velcro brand fastening designed to provide secure tube positioning. This neckband is made of soft foam and rounded edges for comfort.








References

1. Watters K. Tracheostomy in infants and children. Pediatric tracheostomy. Respiratory Care. 2017; Vol. 62(6):803.
2. Okonkwo I, Cochrane L, Fernandez E. Perioperative management of a child with a tracheostomy. BJA education. 2020; 20(1):18.
3. Volsko TA, Parker SW, Deakins K, Walsh BK, Fedor KL, Valika T, et al. AARC Clinical Practice Guideline: management of pediatric patients with tracheostomy in the acute care setting. Respiratory care. 2021; 66(1):144-155.
4. Hess DR, Altobelli NP. Tracheostomy Tubes. Respiratory Care. 2014; 59(6):956- 973
5. de Kleijn BJ, van As-Brooks CJ, Wedman J, van der Laan BFAM. Clinical feasibility study of protrach dualcare a new speaking valve with heat and moisture exchanger for tracheotomized patients. Laryngoscope Investigative Otolaryngology. 2017;2(6):453-8.
6. Rozsasi A, Leiacker R, Fischer Y, Keck T. Influence of passive humidification on respiratory heat loss in tracheotomized patients. Head Neck. 2006;28(7):609-13.
7. van den Boer C, Lansaat L, Muller SH, van den Brekel MW, Hilgers FJ. Comparative ex vivo study on humidifying function of three speaking valves with integrated heat and moisture exchanger for tracheotomised patients. Clin Otolaryngol. 2015;40(6):616-21.
8. Nelson Laboratories. Bacterial Filtration Efficiency (BFE) GLP Report. Salt Lake City, USA. Available on request from Atos Medical.
9. Nelson Laboratories. Viral Filtration Efficiency (VFE) GLP Report. Salt Lake City, USA. Available on request from Atos Medical.

Always read the Instructions for Use before starting to use any of the products
For Instructions for Use, please visit: www.atosmedical.com/ifu

**Contact your Tracoe Sales Specialist with any questions
or reach out to us at info.us@atosmedical.com**

 1.800.217.0025
 info.us@atosmedical.com
 www.atosmedical.us

Atos
Breathing-Speaking-Living
atosmedical.us