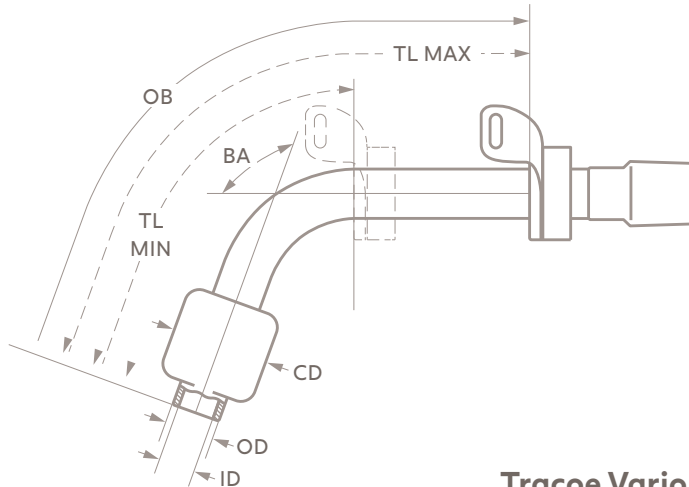


Technical Data

Tracoe Vario

Size	ID	OD	OB	CD	BA	REF 450 / REF 450-P	REF 455	REF 460 / REF 460-P	REF 464	REF 470 / REF 470-P
						TL (min-max) mm	TL (min-max) mm	TL (min-max) mm	TL (min-max) mm	TL (min-max) mm
06	6.0	8.2	76	18.0	100°	50.0 - 62.0	59.5 - 71.5	50.0 - 62.0		
07	7.0	9.7	86	23.0	100°	53.0 - 68.0	64.5 - 79.5	54.0 - 69.0	64.0 - 79.0	55.0 - 70.0
08	8.0	11.2	97	28.0	100°	64.0 - 84.0	71.5 - 91.5	65.0 - 85.0	71.0 - 91.0	63.0 - 83.0
09	9.0	12.3	106	30.0	100°	66.0 - 93.0	76.0 - 103.0	64.0 - 91.0	76.0 - 103.0	64.0 - 91.0
10	10.0	13.7	120	32.0	100°	63.0 - 98.0	75.0 - 110.0	68.5 - 103.5		64.0 - 99.0

ID: inner diameter (clear width) at bottom of cannula; **OD:** outer diameter at bottom of cannula;
TL min: minimal length along center line; **TL max:** maximal length along center line;
OB: length along outer bend;
BA: bending angle; **CD:** cuff diameter



Tracoe Vario XL

Size	ID mm	OD mm	OB mm	CD mm	BA °	REF 451 / REF 451-P	REF 461 / REF 461-P	REF 471 / REF 471-P
						TL (min-max) mm	TL (min-max) mm	TL (min-max) mm
07	7.0	9.7	110	23.0	100°	65.0 - 98.0	64.5 - 97.5	60.0 - 93.0
08	8.0	11.2	128	28.0	100°	76.0 - 116.0	73.5 - 113.5	73.0 - 113.0
09	9.0	12.3	134	30.0	100°	73.5 - 118.5	78.0 - 123.0	73.5 - 118.5
10	10.0	13.7	146	32.0	100°	85.0 - 130.0	84.5 - 129.5	80.0 - 125.0

ID: inner diameter (clear width) at bottom of cannula; **OD:** outer diameter at bottom of cannula; **TL min:** minimal length along center line; **TL max:** maximal length along center line; **OB:** length along outer bend; **BA:** bending angle; **CD:** cuff diameter